

M

M59

SPECIFICATIONS

TRACTOR SPECIFICATIONS

Engine	Gross power (SAE)	59 HP (44.0 kw)
	Net power (SAE)	57 HP (42.5 kw)
	Total displacement	148.5 cu.in. (2434 cm ³)
	No. of cylinders	4
	Rated speeds	2700 rpm
	Air cleaner	Dual element
Max. PTO power	46 HP (37.3 kw)	
Fuel tank capacity	14.5 gal (55 liters)	
Tire size	Front	10 × 16.5-R4
	Rear	17.5L-24 R4
Wheelbase	80.7 in. (2050 mm)	
Tread	Front	56.7 in. (1440 mm)
	Rear	57.6 in. (1462 mm)
Weight with Loader, Backhoe and ROPS/FOPS*¹⁾	8344.5 lbs (3785 kg)* ¹⁾	
Min. turning radius	9.8 ft. (3.0 m)	
Rear PTO	540 rpm, Live Independent	
Clutch	Dry, single	
Power steering	Hydrostatic	
Transmission	Type	HST PLUS (6 range)
	No. of speeds	Infinite
	Max. traveling speed	15.9 mph (25.6 km/h)
	Range shift lever position	Seat side, right
Brake type	Wet disc	
Hydraulic system	Pump capacity	26.7 gal/min (100.9 ℓ/min)
	3-point hitch lift capacity at 24 in. (610 mm) behind lift point	2976 lbs. (1350 kgf)
	Position control	Standard
3-point hitch (Category I & II)	Optional	
ROPS/FOPS	4-post, Standard	
Others	Hard nose slanted hood	Standard
	Back-up alarm	Standard
	Horn	Standard
	Loader-integrated reinforced frame	Standard
	Reversible seat	Standard
	Tilt steering	Standard
	Rear axle differential lock	Standard
	Muffler	Enclosed (w/ spark arrestor)
	Pedals	Hanging type
	Deck	Walk-through deck
Glow plug	Super glow	

*¹⁾ With 84" loader quick bucket, 24" backhoe bucket and standard tires.

LOADER SPECIFICATIONS

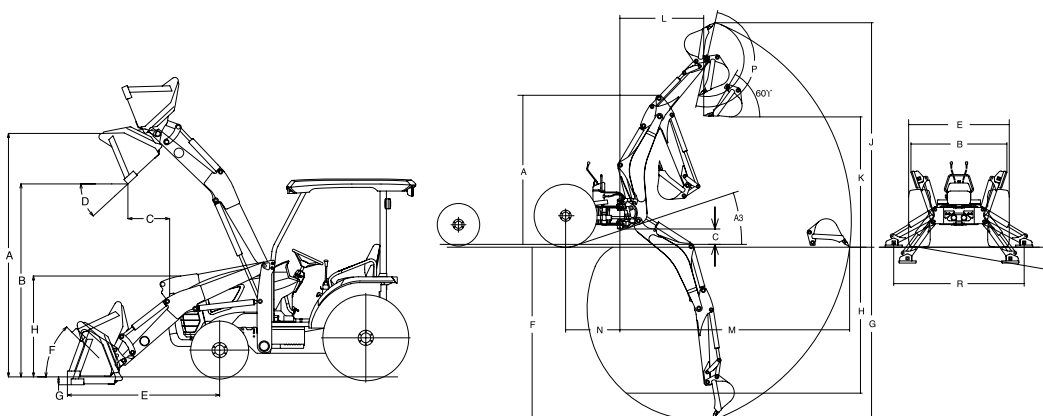
Lift capacity to max. height at bucket bottom mid point:	2976 lbs. (1350 kg)
Lift capacity to max. height at pivot pin:	3968.3 lbs. (1800 kgf)
Breakout force at pivot pin:	5961.3 lbs. (26517 N)
Control valve:	One detent float position power beyond circuit
Net weight (Approx.):	1169 lbs. (530 kg)
Self-leveling:	Standard
SSL quick coupler:	Standard
Operating Dimensions:	
A. Maximum lift height to pivot pin	126.1 in. (3203 mm)
B. Clearance with bucket dumped	95.0 in. (2412 mm)
C. Reach at maximum height	22.9 in. (582 mm)
D. Maximum dump angle	45 deg.
E. Reach with bucket on ground	71.7 in. (1821 mm)
F. Bucket rollback angle	43 deg.
G. Digging depth	2.7 in. (69 mm)
H. Overall height in carrying position	63.0 in. (1600 mm)
Performance Ratings (No Load Self-leveling, Max. 2900rpm)	
Raise to full height:	on 4.2 sec. off 3.9 sec.
Lowering time:	4.3 sec. 3.1 sec.
Attachment rollback time:	2.4 sec. 2.4 sec.
Attachment dumping time:	2.4 sec. 2.4 sec.

*Tires applied: 10-16.5-15R4 (Front) and 17.5L-24R4 (Rear)

BACKHOE SPECIFICATIONS

Digging force using bucket cylinder (approx.):	7602 lbs. (3448 kgf)
Digging force using dipperstick cylinder (approx.):	4731 lbs. (2146 kgf)
Trunnion type boom swing mechanism	Two cylinders
Operating Dimensions:	
A. Transport height	123.9 in. (3146 mm)
B. Stabilizer spread-transport	67.2 in. (1707 mm)
C. Ground clearance	13.8 in. (352 mm)
E. Overall width	75.0 in. (1905 mm)
F. Digging depth, maximum	144.0 in. (3652 mm)
G. Digging depth, 2ft. flat bottom	143.0 in. (3632 mm)
H. Digging depth, 8ft. flat bottom	127.6 in. (3242 mm)
J. Operating height, fully raised	183.1 in. (4651 mm)
K. Loading height	105.9 in. (2690 mm)
L. Loading reach	69.3 in. (1759 mm)
M. Reach from swing pivot	187.9 in. (4773 mm)
N. Swing pivot to rear axle center line	39.7 in. (1008 mm)
P. Bucket rotation	180 deg.
X. Swing arc	180 deg.
R. Stabilizer spread-operating	89.3 in. (2268 mm)
A3. Angle of departure per SAE J1234	20.7 deg.
U. Leveling angle	10.0 deg.

*The specifications are taken with KUBOTA's M59 tractor. (Tire size: Front 10-16.5R4, Rear 17.5L-24R4)



The company reserves the right to change the above specifications without notice.

This brochure is for descriptive purposes only. Please contact your local Kubota dealer for warranty information.

For your safety, KUBOTA strongly recommends the use of a Rollover Protective Structure (ROPS) and seat belt in almost all applications.

For complete operational information, the operator's manual should be consulted.